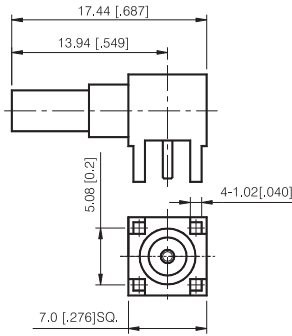
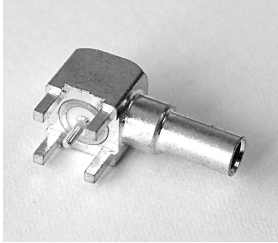


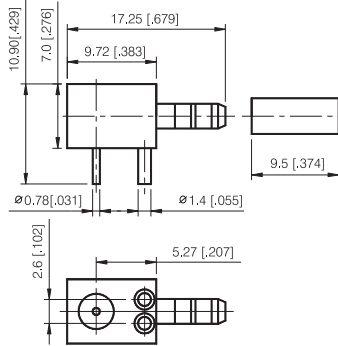
MCX Series

TERMINAL



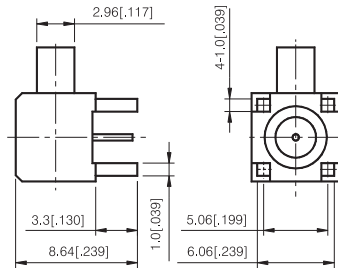
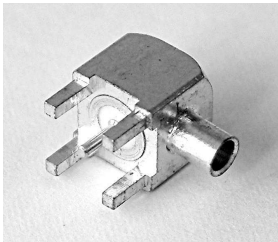
RIGHT ANGLE TERMINAL FOR P.C.BOARD

P/N	Cable Group	Impedance
107-M910	25	50



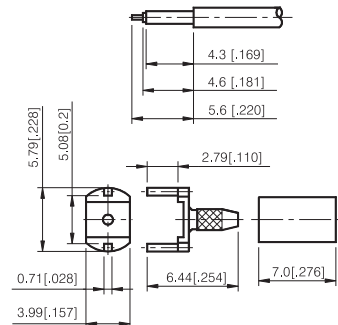
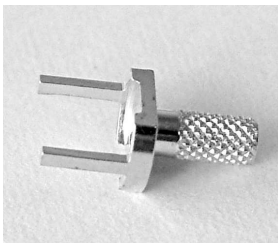
RIGHT ANGLE TERMINAL FOR P.C.BOARD

P/N	Cable Group	Impedance
107-M920	09	50



RIGHT ANGLE TERMINAL FOR P.C.BOARD

P/N	Cable Group	Impedance
107-M930	25	50



STRAIGHT TERMINAL FOR P.C.BOARD

P/N	Cable Group	Impedance
107-M940	28	50
107-M941	09	50
107-M942	10	50