

1.0/2.3 DIN CONNECTOR



Description

1.0/2.3 coaxial connectors are miniature 50 ohm units with threaded coupling mechanisms which provide positive mating. The compact design of the 1.0/2.3 permits dense connector packing, making these connectors ideally suited to applications where space saving is a factor.

Applications

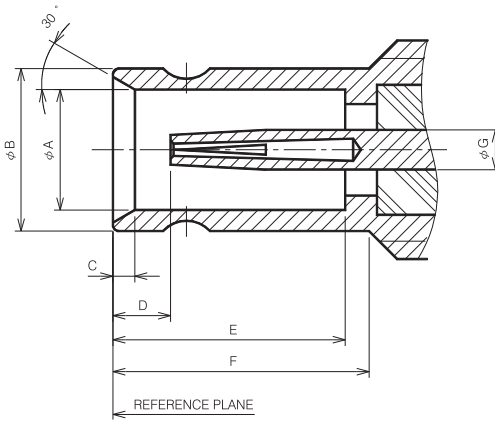
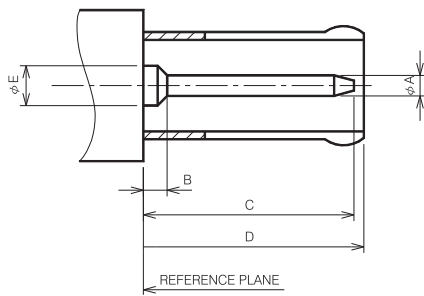
- Telecommunications
- Switching equipment and routers
- Datacom

Features

- Meets DIN 41626, DIN 47297 and NFC 93-571 international specifications.
- Plugs and bulkhead jacks available in push pull types ensuring high reliability and a lower installed cost.
- Mates with DIN 41612 Two-Piece connectors.

1.0/2.3 DIN CONNECTOR

Interface Mating Dimensions:



PLUG

Letter	Millimeters	
	Minimum	Maximum
A	0.48	0.52
B	-	1.15
C	-	5.50
D	5.40	5.70
E	0.98	1.02

JACK

Letter	Millimeters	
	Minimum	Maximum
A	3.00	3.06
B	4.03	4.15
C	0.50	0.60
D	1.15	-
E	5.80	5.90
F	6.40	6.50
G	0.98	1.02

1.0/2.3 DIN CONNECTOR

Electrical :

Impedance	50 ohm
Frequency Range	0-4 GHz
Working Voltage	250 VRMS max. at sea level
Dielectric Withstanding Voltage	750 VRMS min. at sea level
VSWR	Straight : 1.3 max. Right Angle : 1.5 max.
Contact resistance	Center Contact : 6 milliohms max. Outer contact : 3 milliohms max.
Insulator resistance	1,000 megohms min

Material

Parts Name	Material	Finish
Male (Plug)	Body/Metal parts :	Nickel
	Brass per QQ-B-626	
	Outer Contacts :	Gold
	Phosphor Bronze per QQ-B-750	
Female (jack)	Center Contact :	Gold
	Beryllium-Copper per	
	Body/Metal parts :	Gold/Nickel
Insulation	Brass per QQ-B-626	
	Center Contacts :	Gold
Crimp Ferrule	Beryllium Copper per QQ-C-530	
	PTFE	None
	Annealed copper	Nickel or Gold per requirement

NOTE:Other Material/Finish is Available on Request.

Mechanical :

Coupling Nut Retention	2.3 lbs. max.
Coupling Proof Torque	2.3 in-lbs. max.
Contact Retention	4 lbs. max.
Durability (Mating)	500 cycle min.(for Beryllium copper female contact only)