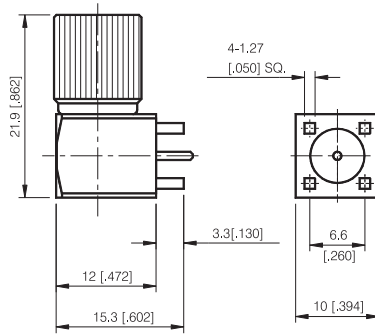
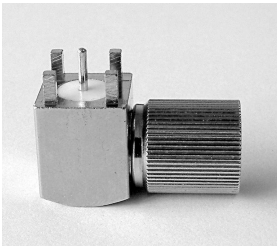


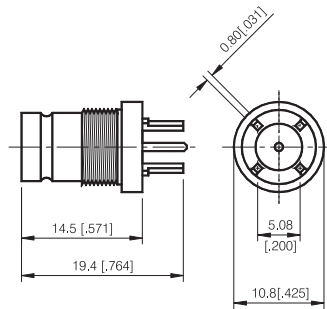
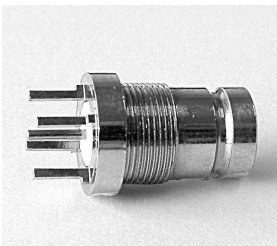
1.6/5.6 DIN CONNECTOR

RIGHT ANGLE PLUG FOR PRINTED CIRCUIT BOARD



RIGHT ANGLE PLUG FOR PRINTED CIRCUIT BOARD

P/N	Cable Group	Impedance
118-M610	N/A	75

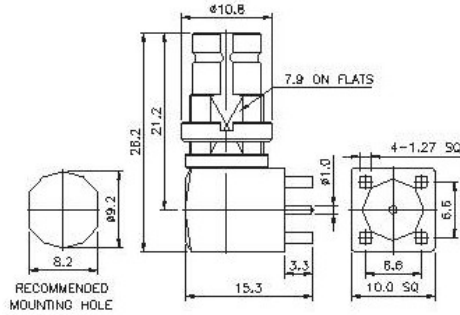


STRAIGHT JACK FOR PRINTED CIRCUIT BOARD

P/N	Cable Group	Impedance
118-F610	N/A	75

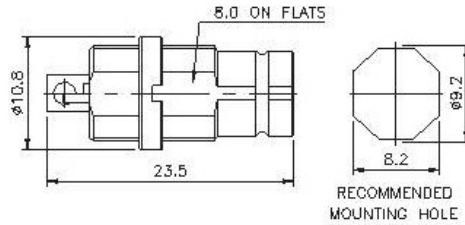
1.6/5.6 DIN CONNECTOR

RIGHT ANGLE PLUG FOR PRINTED CIRCUIT BOARD



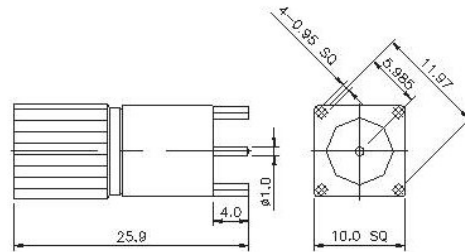
RIGHT ANGLE JACK P.C.B.

P/N	Cable Group	Impedance
118-F620	N/A	75



STRAIGHT JACK

P/N	Cable Group	Impedance
118-F630	N/A	75



STRAIGHT PLUG P.C.B.

P/N	Cable Group	Impedance
118-M630	N/A	75