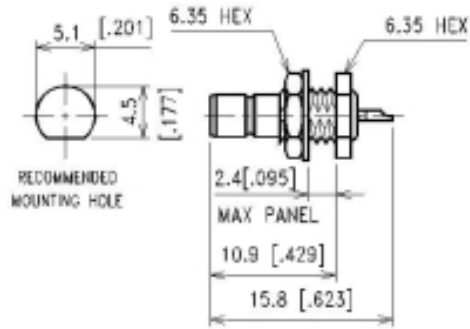


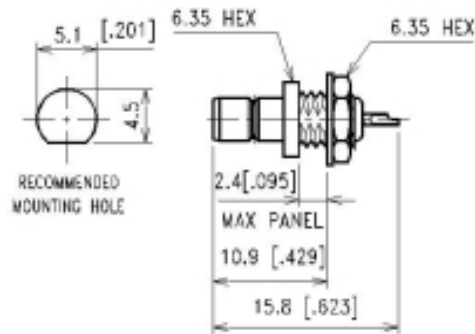
SMB Series

BULKHEAD MOUNT SOLDER POT TERMINAL



BULKHEAD JACK RECEPTACLE-REAR MOUNT

P/N	Cable Group	Impedance
103-F510	N/A	50



BULKHEAD JACK RECEPTACLE-FRONT MOUNT

P/N	Cable Group	Impedance
103-F520	N/A	50