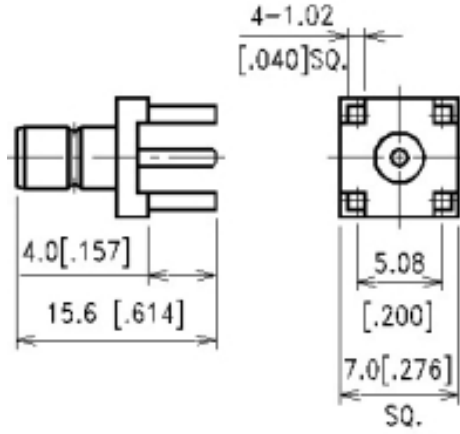
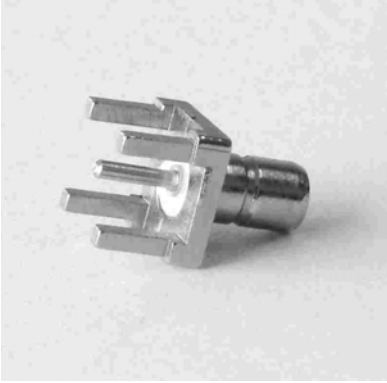


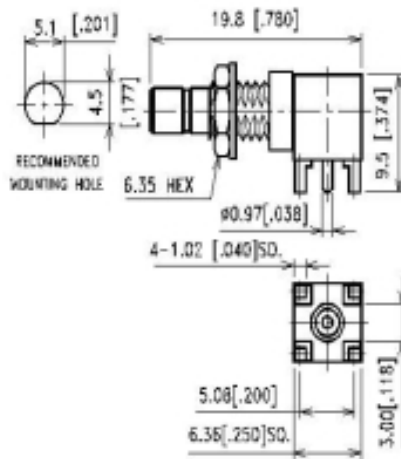
SMB Series

PRINTED CIRCUIT BOARD



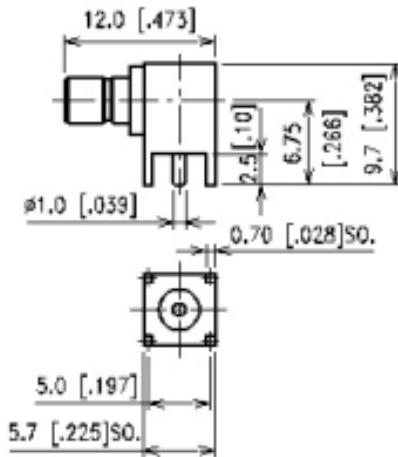
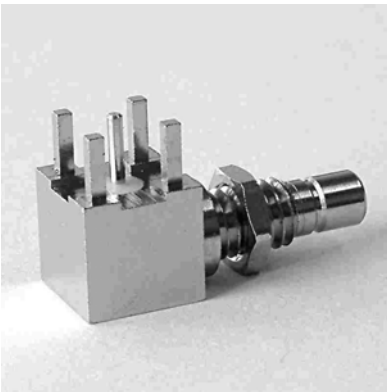
STRAIGHT JACK FOR PRINTED CIRCUIT BOARD

P/N	Cable Group	Impedance
103-F620	N/A	50



RIGHT ANGLE BULKHEAD JACK FOR PRINTED CIRCUIT BOARD

P/N	Cable Group	Impedance
103-F640	N/A	50

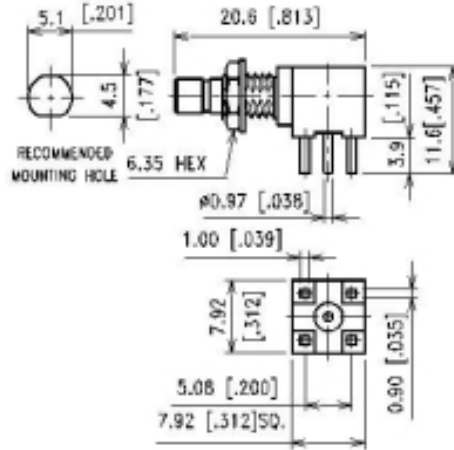
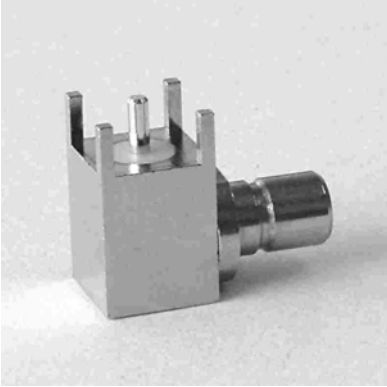


RIGHT ANGLE PLUG FOR PRINTED CIRCUIT BOARD

P/N	Cable Group	Impedance
103-F650	N/A	50

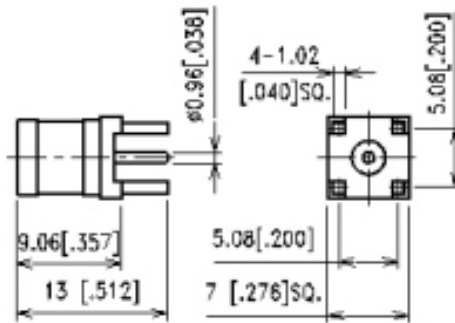
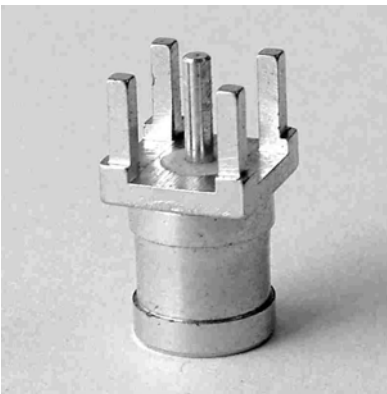
SMB Series

PRINTED CIRCUIT BOARD



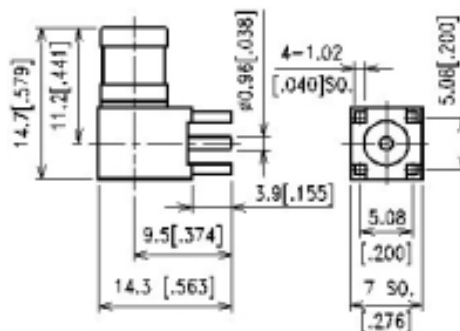
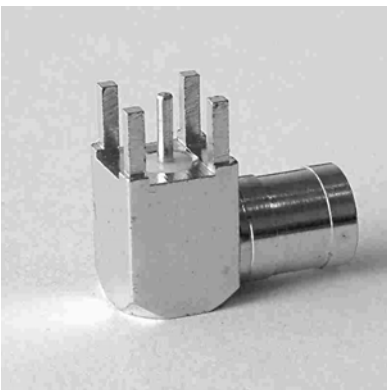
RIGHT ANGLE JACK FOR PRINTED CIRCUIT BOARD

P/N	Cable Group	Impedance
103-F660	N/A	50



STRAIGHT PLUG FOR PRINTED CIRCUIT BOARD

P/N	Cable Group	Impedance
103-M610	N/A	50



RIGHT ANGLE PLUG FOR PRINTED CIRCUIT BOARD

P/N	Cable Group	Impedance
103-M620	N/A	50