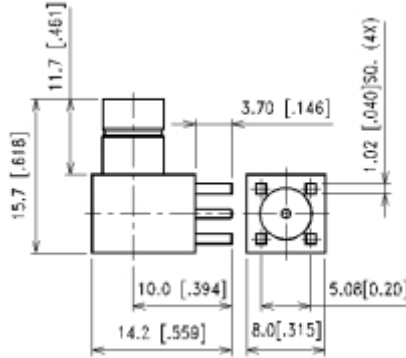
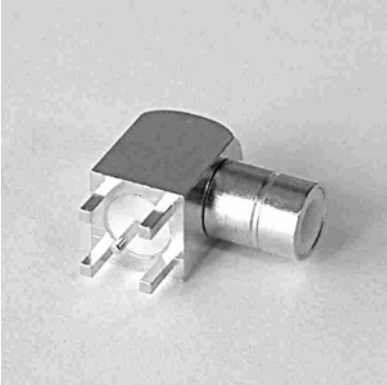


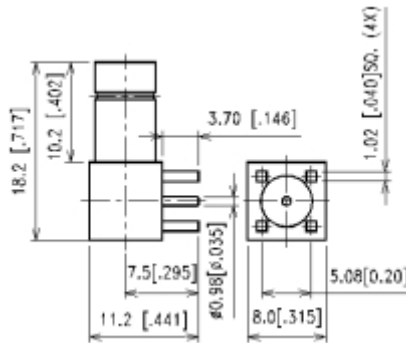
BT43 Series

PRINTED CIRCUIT BOARD



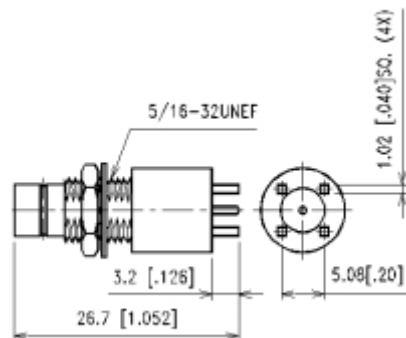
RIGHT ANGLE PLUG FOR PRINTED CIRCUIT BOARD

P/N	Cable Group	Impedance
125-M610	N/A	75



RIGHT ANGLE PLUG FOR PRINTED CIRCUIT BOARD

P/N	Cable Group	Impedance
125-M620	N/A	75



BULKHEAD STRAIGHT PLUG FOR PRINTED CIRCUIT BOARD

P/N	Cable Group	Impedance
125-M630	N/A	75