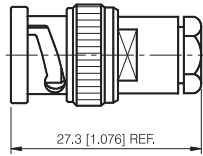


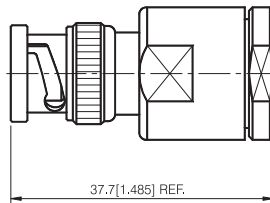
BNC Series

CLAMP TERMINATIONS FOR FLEXIBLE CABLE



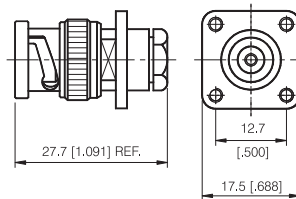
STRAIGHT CLAMP PLUG

P/N	Cable Group	Impedance
111-M220	RG-58/U	50
111-M221	RG-59/U	75



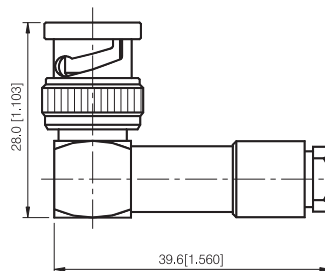
STRAIGHT CLAMP PLUG

P/N	Cable Group	Impedance
111-M222	RG-8/U	50



PANEL MOUNT CLAMP PLUG RECEPTACLE-4 HOLE SQUARE FLANGE

P/N	Cable Group	Impedance
111-M230	RG-58/U	50

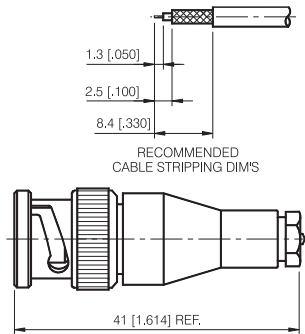


RIGHT ANGLE CLAMP PLUG

P/N	Cable Group	Impedance
111-M240	RG-58/U	50
111-M241	RG-59/U	75

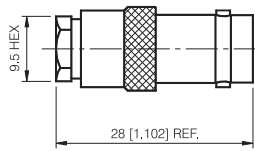
BNC Series

CLAMP TERMINATIONS FOR FLEXIBLE CABLE



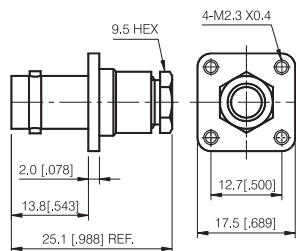
STRAIGHT CLAMP PLUG

P/N	Cable Group	Impedance
111-M250	828	75



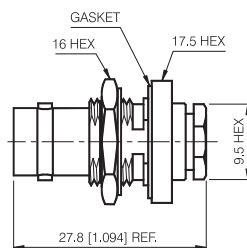
STRAIGHT CLAMP JACK

P/N	Cable Group	Impedance
111-F210	RG-58/U	50
111-F211	RG-59/U	75



PANEL MOUNT CLAMP JACK RECEPTABLE- 4 HOLE SQUARE FLANGE

P/N	Cable Group	Impedance
111-F220	RG-58/U	50
111-F221	RG-59/U	75

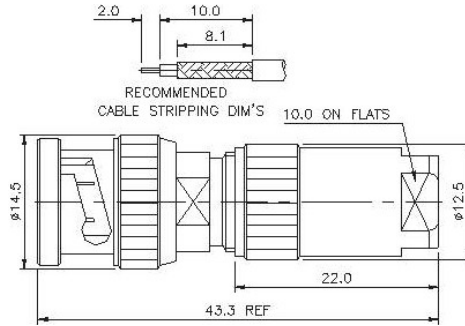


BULKHEAD CLAMP JACK

P/N	Cable Group	Impedance
111-F230	RG-58/U	50
111-F231	RG-59/U	75

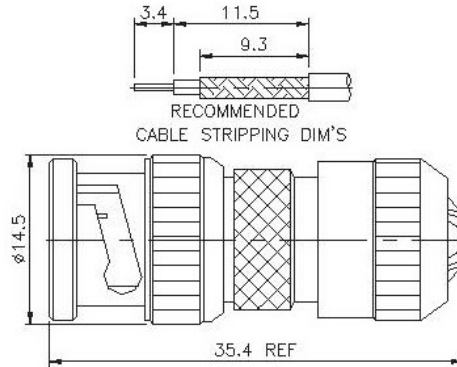
BNC Series

CLAMP TERMINATIONS FOR FLEXIBLE CABLE



PLUG CLAMP LOCK TYPE

P/N	Cable Group	Impedance
111-M260	N/A	50



PLUG CLAMP LOCK TYPE

P/N	Cable Group	Impedance
111-M270	N/A	50