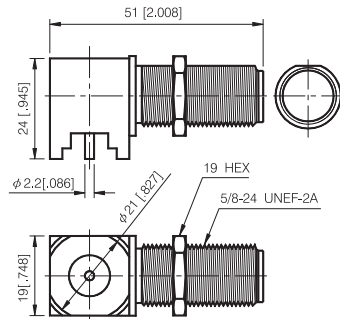
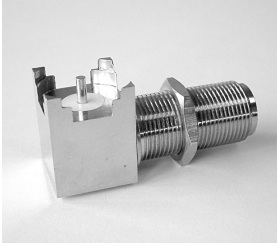


N Series

PRINTED CIRCUIT BOARD



RIGHT ANGLE BULKHEAD JACK FOR PRINTED CIRCUIT BOARD

P/N	Cable Group	Impedance
110-F610	N/A	50