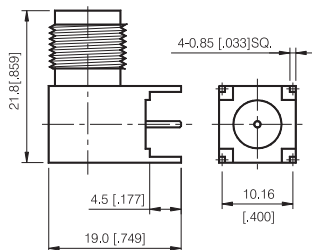
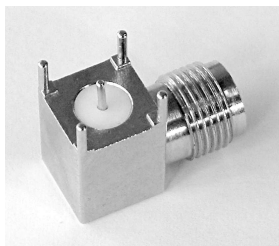


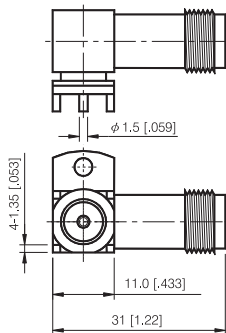
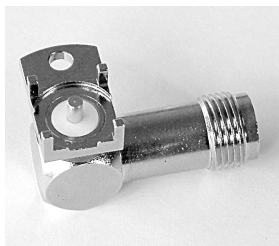
TNC Series

PRINTED CIRCUIT BOARD



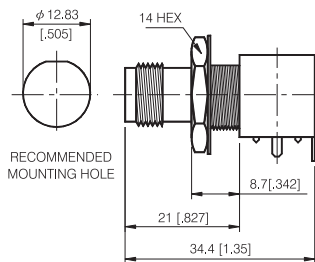
RIGHT ANGLE JACK FOR PRINTED CIRCUIT BOARD

| P/N | Cable Group | Impedance |
|----------|-------------|-----------|
| 112-F610 | N/A | 50 |



RIGHT ANGLE JACK FOR PRINTED CIRCUIT BOARD

| P/N | Cable Group | Impedance |
|----------|-------------|-----------|
| 112-F620 | N/A | 50 |

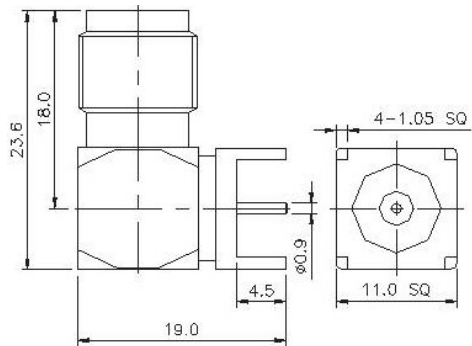


COMMERCIAL RIGHT ANGLE JACK FOR PRINTED CIRCUIT BOARD MOUNT

| P/N | Cable Group | Impedance |
|----------|-------------|-----------|
| 112-F630 | N/A | 50 |

TNC Series

PRINTED CIRCUIT BOARD



RIGHT ANGLE TNC JACK P.C.B.
P/N Cable Group Impedance
112-F650