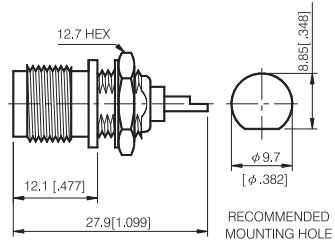


TNC Series

BULKHEAD RECEPTACLE. SOLDER POT TERMINALS

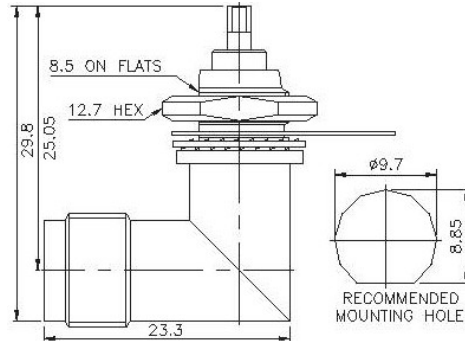


BULKHEAD RECEPTACLE JACK

P/N	Cable Group	Impedance
112-F810	N/A	50

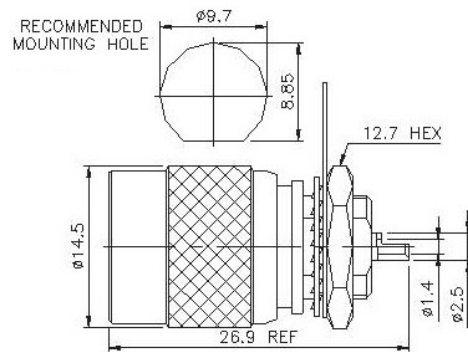
TNC Series

BULKHEAD RECEPTACLE. SOLDER POT TERMINALS



RIGHT ANGLE TNC JACK BULKHEAD

P/N	Cable Group	Impedance
112-F820		



TNC PLUG BULKHEAD

P/N	Cable Group	Impedance
112-M810	N/A	50