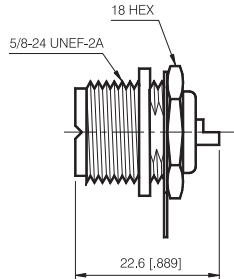


# UHF Series

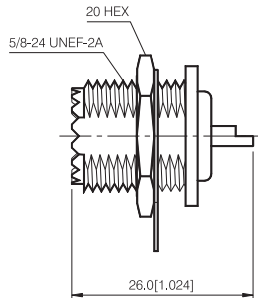
## BULKHEAD RECEPTACLE SOLDER POT TERMINIAL

UHF



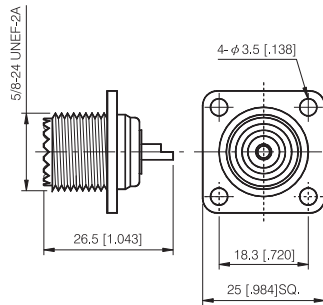
### BULKHEAD JACK RECEPTACLE- FRONT MOUNT

P/N	Cable Group	Impedance
105-F810	N/A	50



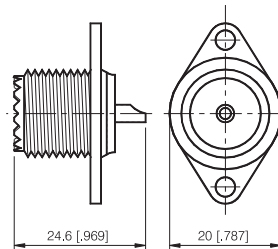
### BULKHEAD JACK RECEPTACLE- REAR MOUNT

P/N	Cable Group	Impedance
105-F820	N/A	50



### PANEL MOUNT JACK RECEPTACLE- 4 HOLE SQ. FLANGE

P/N	Cable Group	Impedance
105-F830	N/A	50



### PANEL MOUNT JACK RECEPTACLE- 2 HOLE SQ. FLANGE

P/N	Cable Group	Impedance
105-F840	N/A	50