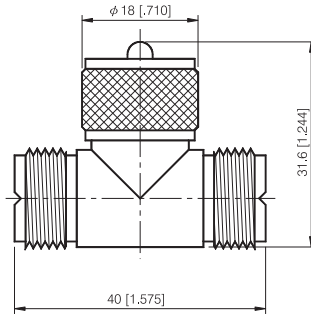


UHF Series

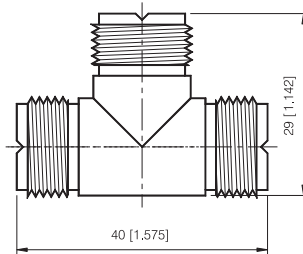
TEE ADAPTOR

UHF



JACK TO PLUG TO JACK "T" ADAPTOR

P/N	Cable Group	Impedance
105-T010	N/A	50



JACK TO JACK TO JACK "T" ADAPTOR

P/N	Cable Group	Impedance
105-T020	N/A	50