

## 2.92mm Series

2.92mm



### Description

2.92mm connectors are precision coaxial connectors for microwave application and provide repeatable electrical performance from DC to 40 GHz.

### Applications

- Coaxial Transmission lines
- Coplanar
- Microstrip
- Stripline

### Features

- Excellent performance up to 45GHz
- Low VSWR and insertion loss
- Rugged construction for reliability
- Mechanically compatible with 3.5mm connector series.

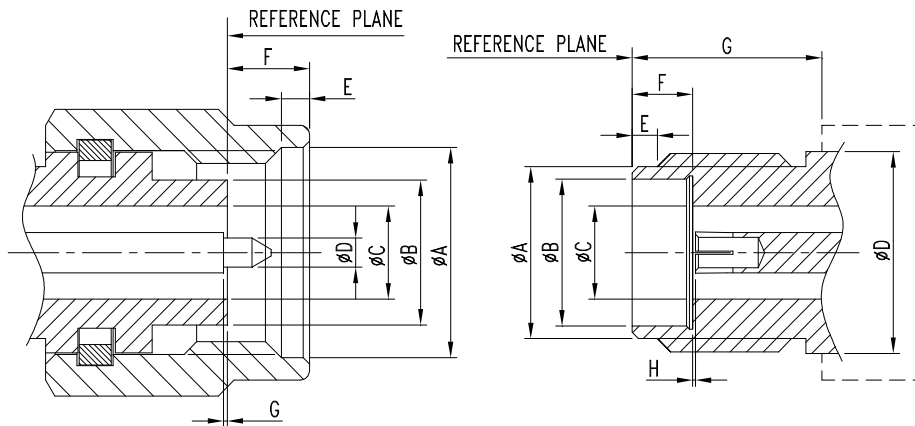
# 2.92mm Series

## 2.92mm - Specification 50ohm 0-40GHz

2.92mm connectors are intermateable with SMA series. This devices have an excellent repeatability and a high mechanical stability. The male contact is shortened so that it can make sure a non-destructive mating process.

## Interface Mating Dimensions:

### 2.92mm CONNECTOR



#### PLUG

Letter	Millimeters(Inches)	
	Minimum	Maximum
$\phi A$	6.48(.255)	6.73(.265)
$\phi B$	4.521(.1780)	4.592(.1808)
$\phi C$	2.908(.1145)	2.934(.1115)
$\phi D$	.914(.0360)	0.935(.0368)
E	0.51(.020)	1.02(.040)
F	-	3.35(.132)
G	0.00(.000)	0.13(.005)

#### JACK

Letter	Millimeters(Inches)	
	Minimum	Maximum
$\phi A$	5.28(.208)	5.46(.215)
$\phi B$	4.60(.181)	4.65(.183)
$\phi C$	2.908(.1145)	2.934(.1115)
$\phi D$	-	6.337(.2495)
E	0.51(.020)	1.02(.040)
F	1.91(.075)	1.96(.077)
G	5.54(.218)	-
H	0.00(.000)	0.13(.005)

# 2.92mm Series

## Electrical :

Impedance	50ohm
Frequency Range	0 to 40.0 GHz
VSWR	STRAIGHT DC to 27.0 GHz→1.20 Max. 27.0 to 40.0GHz→1.30 Max.
	RIGHT ANGLE DC to 40.0 GHz→1.50 Max.
Voltage Rating	250 volts rms max.
Dielectric withstanding Voltage	750 volts rms at sea level
Contact resistance	Center Contact : 3.0 Milliohms Max. Outer Contact : 2.0 Milliohms Max.
Insulator resistance	5,000 Megaohms min.

## Mechanical & Environmental :

Mating	1/4"-36 threaded coupling
Durability	500 matings min.
Coupling Nut Retention	60 lbs min.
Recommended Mating Torque	5.3-7.1 inch-pounds
Contact captivation	All types, except noted otherwise
Vibration	MIL-STD-202,Method 204,Condition B
Salt Spray	MIL-STD-202,Method 101,Condition B
Shock	MIL-STD-202,Method 213,Condition I
Temperature Range	-65°C to +150°C
Thermal Shock	MIL-STD-202,Method 107,Condition B
Moisture Resistance	MIL-STD-202,Method 106

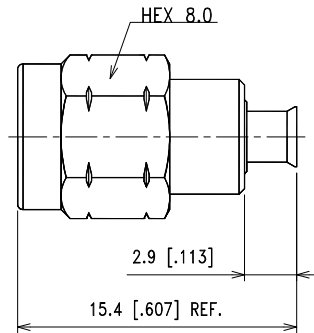
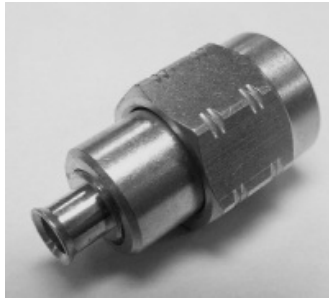
## Material :

	Material	Plating
Connector Body	Stainless steel	Passivated or Gold
Center Contact	Male: Brass Female: Beryllium-Copper	Gold Gold
Insulation	HIGH PERFORMANCE APPLICATION MATERIAL	
Gasket	Silicone	None

# 2.92mm Series

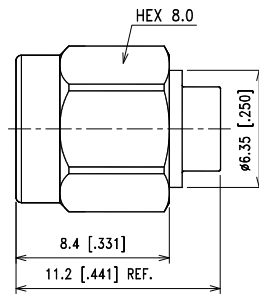
## DIRECT SOLDER FOR SEMI-RIGID CABLE

2.92mm



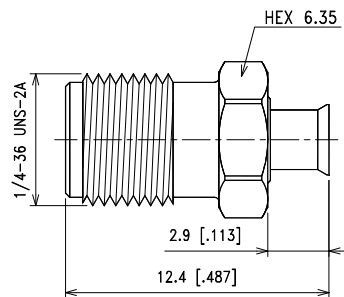
### STRAIGHT PLUG FOR CABLE

P/N	Cable Group	Impedance
129-M110	25	50
129-M111	27	50



### STRAIGHT PLUG FOR CABLE

P/N	Cable Group	Impedance
129-M161	25	50
129-M162	24	50



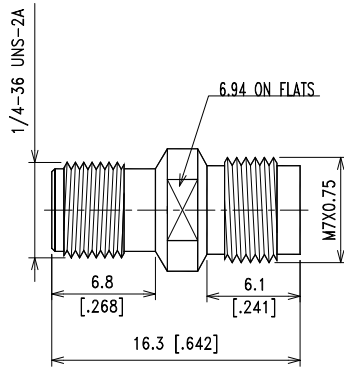
### STRAIGHT JACK FOR CABLE

P/N	Cable Group	Impedance
129-F110	25	50
129-F110	27	50

# 2.92mm Series

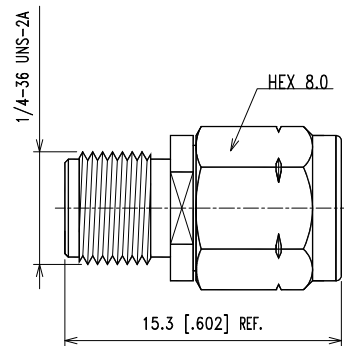
## BETWEEN-SERIES ADAPTER

2.92mm



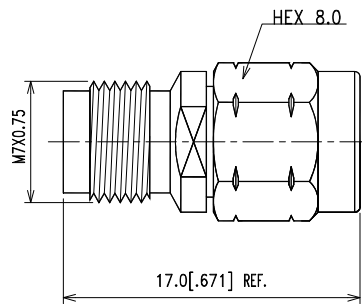
### 2.92mm JACK TO 2.4mm JACK ADAPTER

P/N	Cable Group	Impedance
129-A010	N/A	50



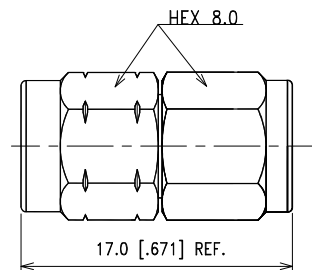
### 2.92mm JACK TO 2.4mm PLUG ADAPTER

P/N	Cable Group	Impedance
129-A020	N/A	50



### 2.92mm PLUG TO 2.4mm JACK ADAPTER

P/N	Cable Group	Impedance
129-A030	N/A	50



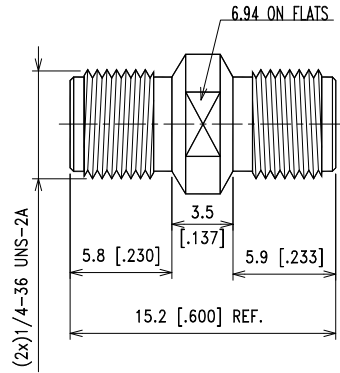
### 2.92mm PLUG TO 2.4mm PLUG ADAPTER

P/N	Cable Group	Impedance
129-A040	N/A	50

# 2.92mm Series

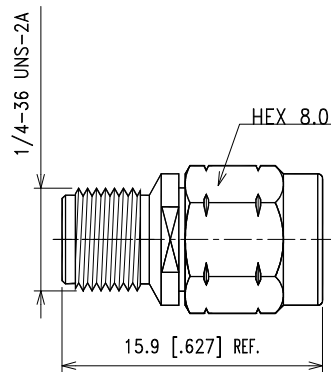
## IN-SERIES ADAPTER

2.92mm



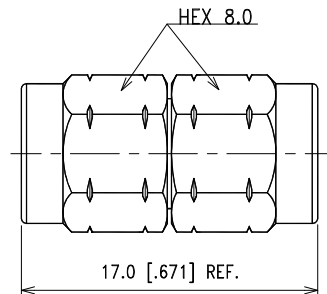
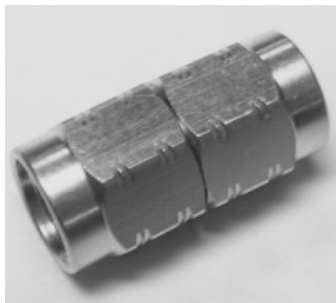
### 2.92mm JACK TO JACK ADAPTER

P/N	Cable Group	Impedance
129-A050	N/A	50



### 2.92mm PLUG TO JACK ADAPTER

P/N	Cable Group	Impedance
129-A060	N/A	50



### 2.92mm PLUG TO PLUG ADAPTER

P/N	Cable Group	Impedance
129-A070	N/A	50