

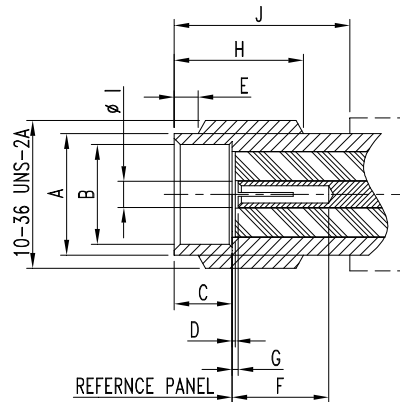
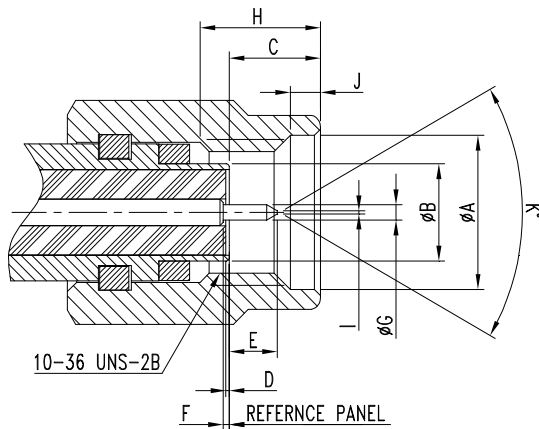
SSMA Series

SSMA - Specification

SSMA series are micro-miniature, precision connectors with excellent electrical performance DC to 18 GHz. The SSMA connector is a smaller version of the SMA connector and is widely used in microwave communications. The SSMA connector has stainless steel construction that provides mechanical ruggedness for high reliability in a compact size. SSMA connectors are available for both semi-rigid and flexible coaxial cables.

Interface Mating Dimensions:

SSMA CONNECTOR



PLUG

Letter	Millimeters(Inches)	
	Minimum	Maximum
∅A	4.98(.196)	5.13(.202)
∅B	3.15(.1240)	4.27(.1268)
C	2.54(.100)	3.38(.133)
D	0.00(.000)	0.25(.010)
E	1.27(.050)	1.65(.065)
F	0.00(.000)	0.25(.010)
∅G	0.50(.0195)	0.53(.0208)
H	3.30(.130)	-
I	0.00(.000)	0.25(.010)
J	0.28(.015)	1.14(.045)
K°	70°	90°

JACK

Letter	Millimeters(Inches)	
	Minimum	Maximum
∅A	3.73(.147)	3.81(.150)
∅B	3.23(.127)	3.30(.130)
C	1.91(.075)	1.96(.077)
D	0.00(.000)	0.25(.010)
E	0.51(.020)	1.02(.040)
F	1.91(.075)	-
G	0.00(.000)	0.25(.010)
H	4.32(.170)	-
∅I	0.85(.0335)	0.88(.0348)
J	5.84(.230)	-

SSMA Series

Electrical :

Impedance	50ohm
Frequency Range	0 to 18.0 GHz
VSWR	RG-174,188,316→1.20+0.03f(GHz) max.(straight) 1.25+0.033f(GHz) max.(right angle) RG-405(.085"OD)→1.07+.009f GHz max.(straight) 1.10+.009f GHz max.(right angle)
Voltage Rating	250 volts rms max.
Dielectric withstanding Voltage	750 volts rms at sea level
Contact resistance	Center Contact : 4.0 Milliohms Max. Outer Contact : 2.0 Milliohms Max.
Insulator resistance	5,000 Megaohms min.

Mechanical & Environmental :

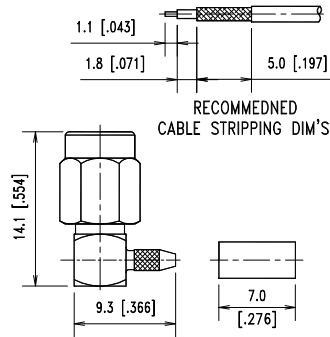
Mating	10-36 threaded coupling (.190-36 threaded coupling)
Durability	500 mating and unmating cycles min.
Engagement Force	2.0 inch-pounds Max.
Disengagement Force	2.0 inch-pounds Max.
Recommended Mating Torque	5.3-7.1 inch-pounds
Contact captivation	All types, except noted otherwise
Vibration	MIL-STD-202,Method 204,Condition A
Salt Spray	MIL-STD-202,Method 101,Condition B
Shock	MIL-STD-202,Method 213,Condition A
Temperature Range	-55°C to +155°C
Thermal Shock	MIL-STD-202,Method 107,Condition A
Moisture Resistance	MIL-STD-202,Method 106

Material :

	Material	Plating
Connector Body	Stainless steel or BRASS	Passivated or Gold
Center Contact	Beryllium-Copper or BRASS	Gold
Insulation	Teflon	None
Gasket	Silicone	None

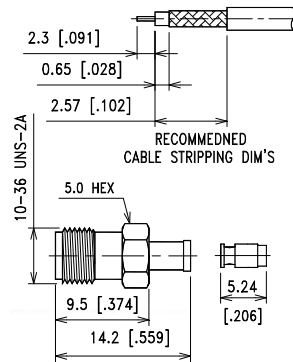
SSMA Series

CRIMP ATTACHMENTS FOR FLEXIBLE CABLE



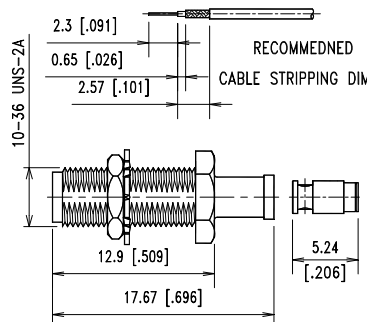
RIGHT ANGLE CRIMP PLUG

P/N	Cable Group	Impedance
102-M010	28	50
102-M011	09	50 ω
102-M012	10	50 ω



STRAIGHT CRIMP JACK

P/N	Cable Group	Impedance
102-F010	36	50
102-F011	34	50 ω
102-F012	37	50 ω
102-F013	38	50 ω
102-F014	28	50 ω

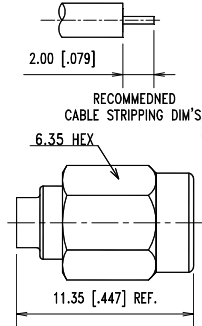


BULKHEAD CRIMP JACK

P/N	Cable Group	Impedance
102-F020	36	50
102-F021	34	50 ω
102-F022	37	50 ω
102-F023	38	50 ω
102-F024	28	50 ω

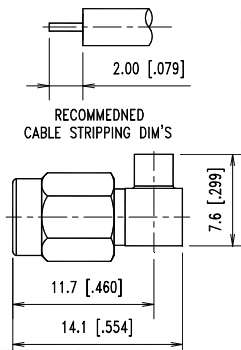
SSMA Series

DIRECT SOLDER FOR SEMI-RIGID CABLE



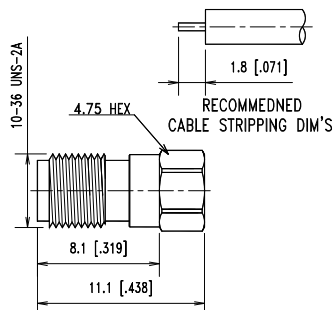
STRAIGHT CRIMP PLUG

P/N	Contact	Cable Group	Impedance
102-M110	NON-CAPTIVE	25	50
102-M111	NON-CAPTIVE	27	50
102-M112	NON-CAPTIVE	79	50
102-M113	CAPTIVE	25	50
102-M114	CAPTIVE	27	50



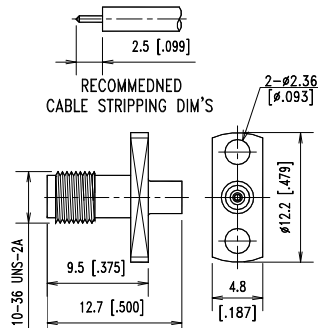
RIGHT ANGLE CRIMP PLUG

P/N	Contact	Cable Group	Impedance
102-M120	NON-CAPTIVE	25	50
102-M12B	NON-CAPTIVE	27	50
102-M122	NON-CAPTIVE	79	50
102-M123	CAPTIVE	25	50
102-M124	CAPTIVE	27	50



STRAIGHT CRIMP JACK

P/N	Contact	Cable Group	Impedance
102-F110	NON-CAPTIVE	25	50
102-F111	NON-CAPTIVE	27	50
102-F112	NON-CAPTIVE	79	50
102-F113	CAPTIVE	25	50
102-F114	CAPTIVE	27	50

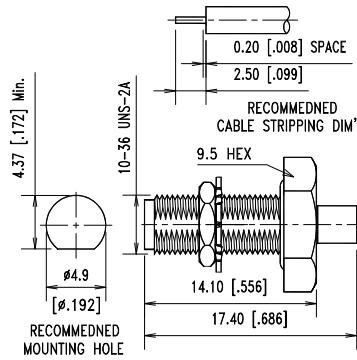
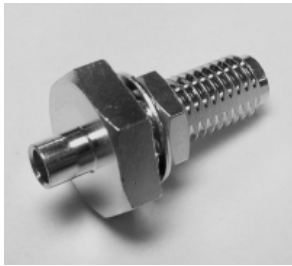


PANEL MOUNT JACK RECEPTACLE -2 HOLE SQUARE FLANGE

P/N	Contact	Cable Group	Impedance
102-F130	NON-CAPTIVE	25	50
102-F131	NON-CAPTIVE	27	50
102-F132	NON-CAPTIVE	79	50
102-F133	CAPTIVE	25	50
102-F134	CAPTIVE	27	50

SSMA Series

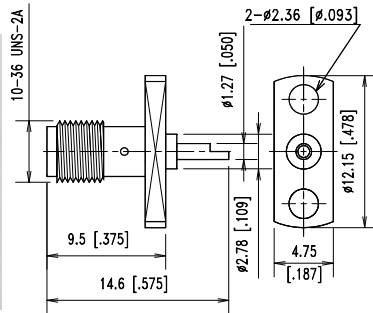
DIRECT SOLDER FOR SEMI-RIGID CABLE



BULKHEAD CABLE JACK

P/N	Contact	Cable Group	Impedance
102-F150	NON-CAPTIVE	25	50
102-F151	NON-CAPTIVE	27	50
102-F152	NON-CAPTIVE	79	50
102-F153	CAPTIVE	25	50
102-F154	CAPTIVE	27	50

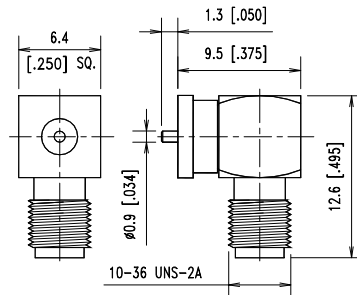
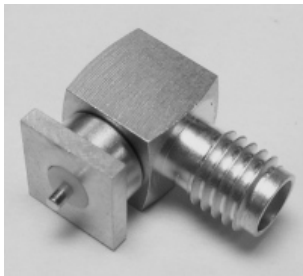
PANEL MOUNT RECEPTACLE



PANEL MOUNT JACK RECEPTACLE-2 HOLE SQUARE FLANGE-SOLDER POT CONTACT

P/N	Cable Group	Impedance
102-F310	N/A	50

PRINTED CIRCUIT BOARD



RIGHT ANGLE JACK FOR PC EDGE MOUNT

P/N	Cable Group	Impedance
102-R017	N/A	50